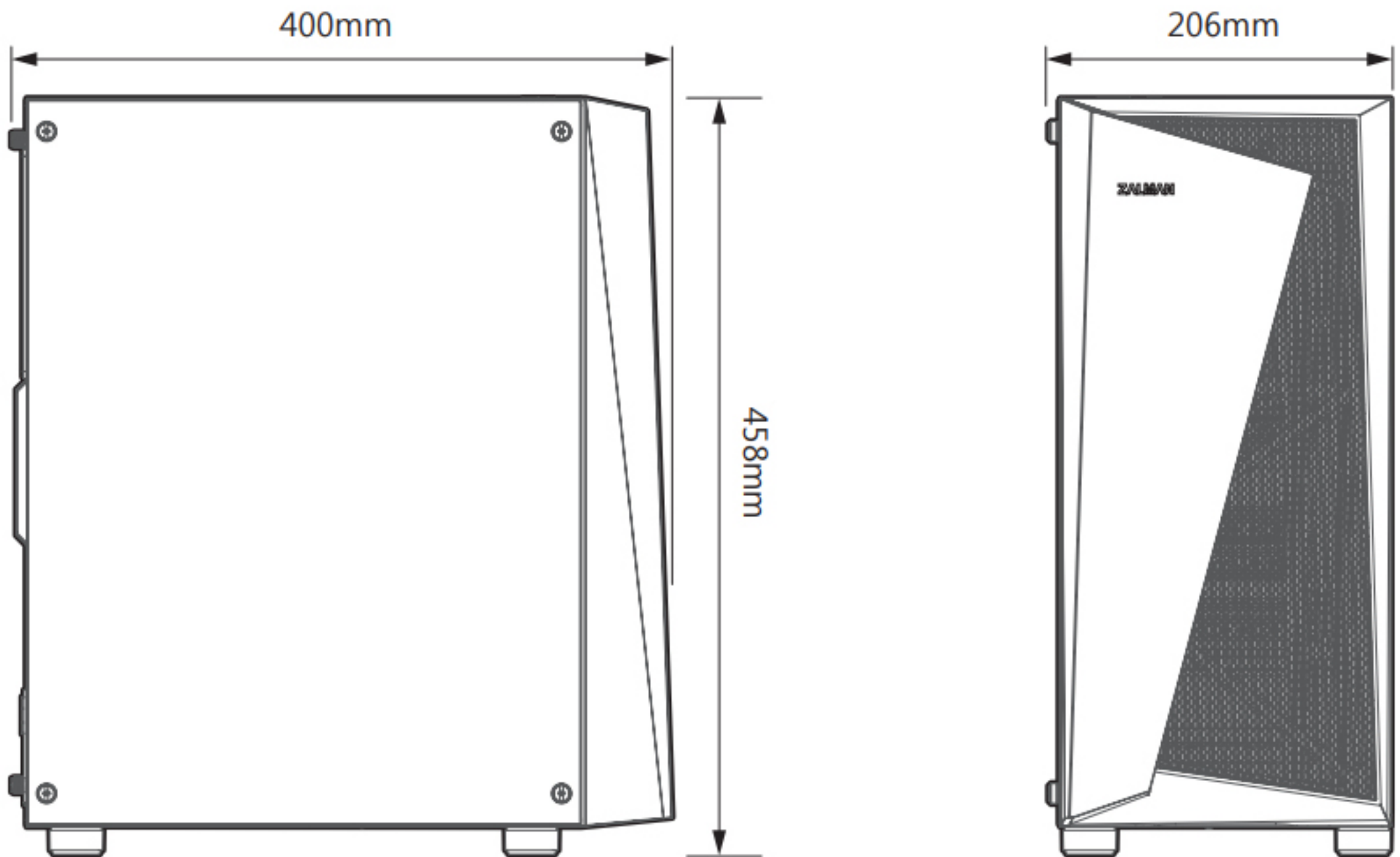
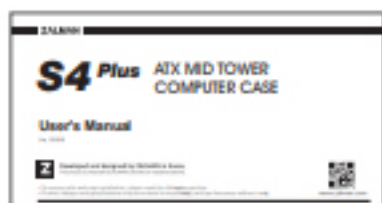


Specifications

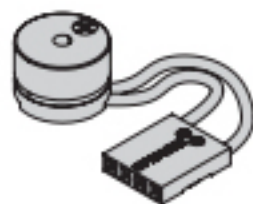
Model	S4 PLUS	
Case Form Factor	ATX Mid-Tower	
Dimensions	400(D) x 206(W) x 458(H)mm	
Weight	3.7kg	
Case Materials	Plastic, Steel	
Motherboard Support	ATX / mATX / Mini-ITX	
Maximum VGA Length	315mm (Without fan, Radiator)	
Maximum CPU Cooler Height	160mm	
Maximum PSU Length	180mm	
PCI Expansion Slots	7	
Drive Bays	2 x 3.5"(1 x Combo) / 1 x 2.5" SSD	
Fan Support	Top	2 x 120mm
	Front	3 x 120mm
	Rear	1 x 120mm
	Bottom	2 x 120mm
Pre-Installed Fan(s)	Front	2 x 120mm (RGB)
	Rear	1 x 120mm (RGB)
Radiator Support	Front	120mm / 240mm
	Rear	120mm
I/O Ports	1 x Headphone, 1 x Mic, 2 x USB 2.0, 1 x USB 3.0, Reset Button, Power Button	



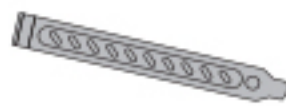
Accessories



User's Manual



Buzzer



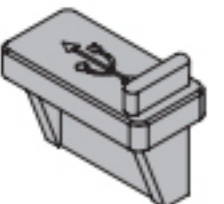
PCI Slot covers x 2



Cable ties x 5



Thumb Screws x 2



USB Rubber covers x 3



HDD Screws x 8



SSD / MB Screws x 22



PSU / VGA Screws x 8



Motherboard stand-offs x 6



Fan Screws x 2



HDD Slide Screws x 2



Media rubber covers x 2